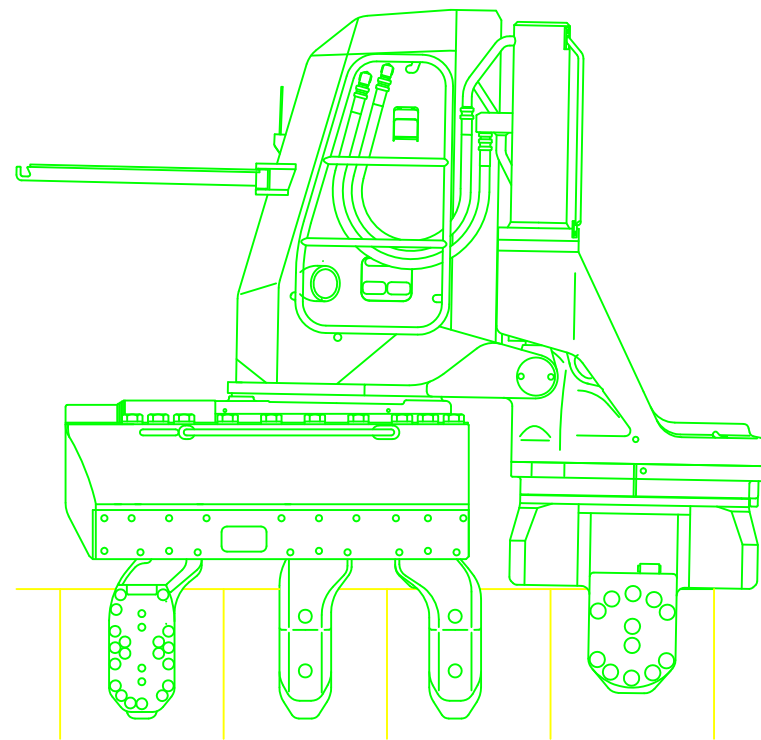
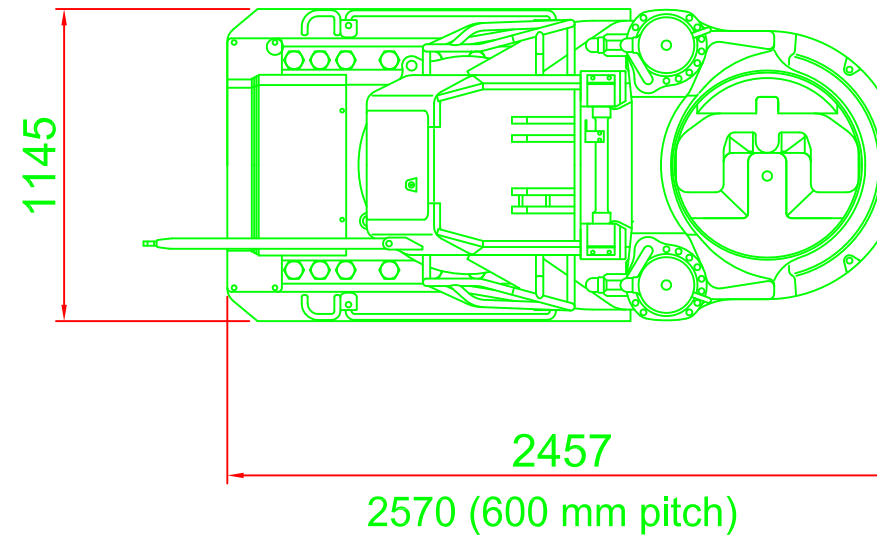
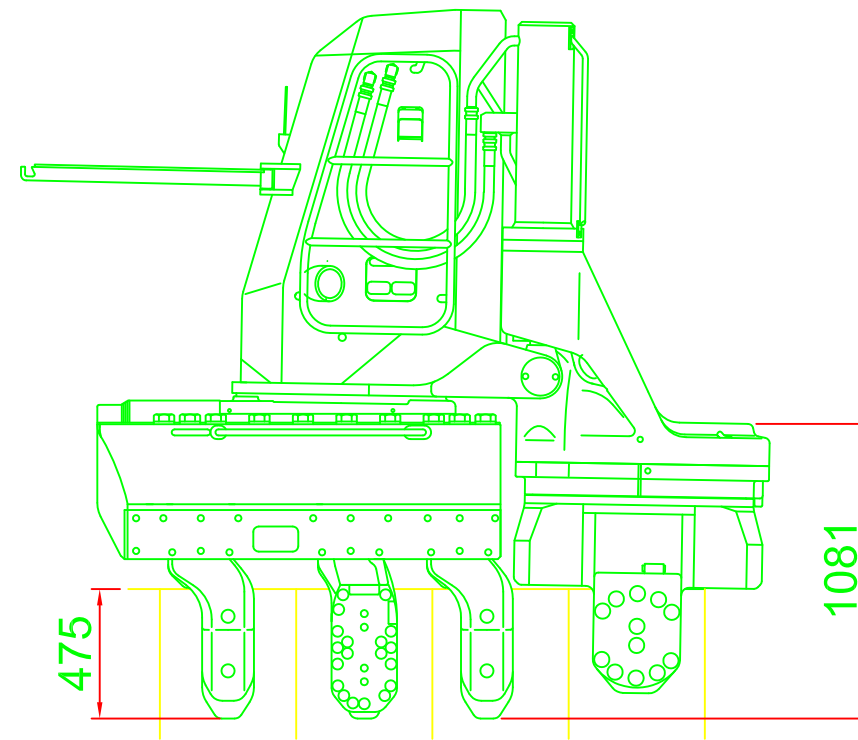


Silent Piler UP150

Specification	
Max. Installation Force	1,500 kN (150 ton)
Max. Extraction Force	1,600 kN (160 ton)
Stroke	800 mm
Pressing-in Speed	2.2 - 19.2 m/min
Drawing-out Speed	2.6 - 16.1 m/min
Power Source	Diesel Engine 147 kW (200 PS)
Operation	Radio Control
Movement	Self-moving
Sheet Pile Range	500 pitch, 600 pitch
Weight	9,400 Kg



600 mm pitch



500 mm pitch

