

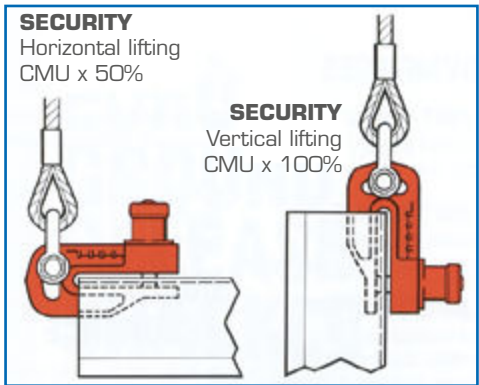
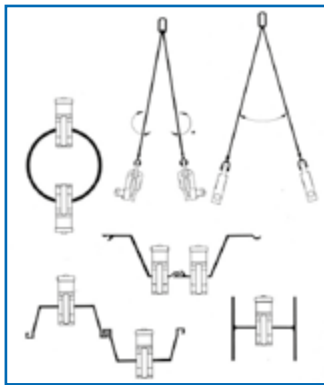
## REMOTE RELEASE SHACKLES EGRS

The shackles has been developed specially for steel sheet piling, tubes and H beam.

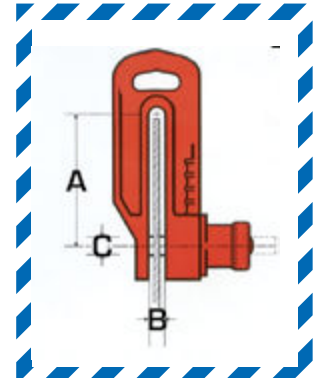
Its purpose is to enable steel piles to be lifted into position and when held securely in temporary guides the shackles can be released quickly and safely. It avoid the costly delay and inherent hazards of putting a man up to the release position.



*It is also possible to snap the closure axis thanks to a distance outbreak kit, sold separately. This kit allows to take the snatched sheet piles to lay them down.*



TYPE	CMU tonne	TACKLING THICKNESS max. in mm - B	Maxi. distance handling hole in mm - A	Mini Ø handling hole - in mm - C	Weight /kg
LZ 1.0 (WIMAG)	1	4	200	20	4
DZ 3.0 (WIMAG)	3	10	250	20	15
TCP 3.0 (YALE)	3	24	190	25	18
EGRS 150/4T	4	30	150	22	18
EGRS 150/7.5T	7.5	30	150	27	18
EGRS 150/10T	10	30	150	35	18
EGRS 250/7.5T	7.5	30	250	28	22
EGRS 250/10T	10	30	250	35	22



### ERRS EURO RATCHET RELEASE SHACKLES

for faster and safer pile pitching  
SWL : 3,5 à 40 tons

Contact us



### ERBS EURO RATCHET RELEASE SHACKLES

for H profil handling,  
SWL : 3 tons

Contact us

